

REVISION RECORD				
REV	ECD	DESCRIPTION	DRFT	CHKD

NOTES:

MATERIAL:

- 1. HOUSING MATERIAL :GLASS FILLED POLYESTER UL94V-0.
- 2. CONTACT MATERIAL
- 3. PLATING : GOLD PLATING 3u"~50u"OVER NICKEL

ELECTRICAL:

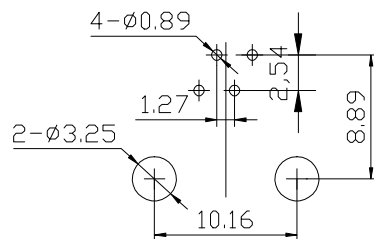
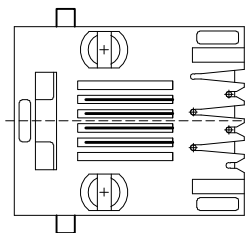
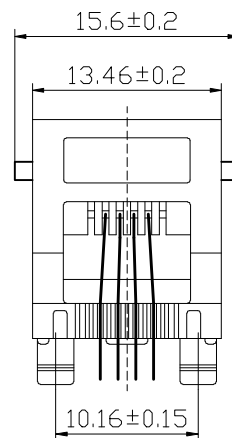
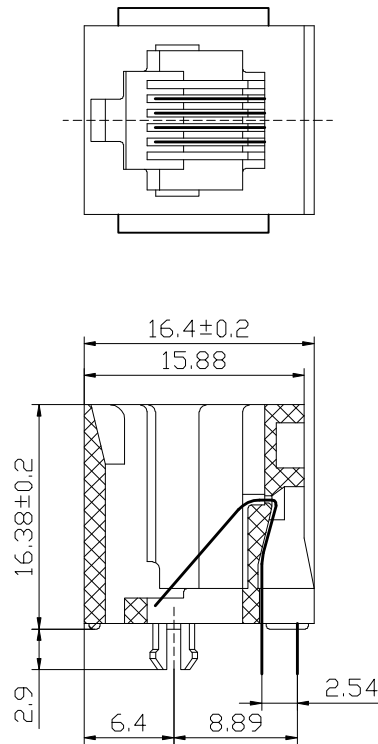
- 1. VOLTAGE RATING :125 VAC RMS.
- 2. CURRENT RATING :1.5 AMP.
- 3. CONTACT RESISTANCE :30 MILLIOHMS MAX.
- 4. INSULATION RESISTANCE :500 MEGOHMS MIN @ 500V DC .
- 5. DIELECTRIC WITHSTANDING RESISTANCE :1000V AC RMS 50Hz. 1MIN.

MECHANICAL:

- 1. DURRABILITY: :750 CYCLES MIN.
- 2. PCB RETENTION PRE-SOLDER :1 LB MIN.

ENVIRONMENTAL:

- 1. STORAGE : -40° C TO 85° C.
- 2. OPERATION : 0° C TO 70° C.



PC Board Layout
Component Side Shown

MM (INCH)		DFTO: SHB	DATE: 2007.05.05	<h1 style="margin: 0;">Coorle Technology</h1>	
TOLERANCES EXCEPT AS NOTED		CHKD: LANBD	DATE: 2007.05.05		
.0 ± 0.15 ± .00 ± 0.075 ± .000 ± 0.05 ±		MFO: DATE:	APPVL: DATE:	TITLE 52 TOP ENRY JACK 6P4C	
ANGLES ± 0.5		MATERIAL :			
 THIRD ANGLE PROJECTION		QTY :		DRAWING NO. SIZE REV /PART NO. /A3 0	
		FINISH :			
SCALE :		DO NOT SCALE DRAWING		SHEET OF	